

YIG-Tuned Oscillators

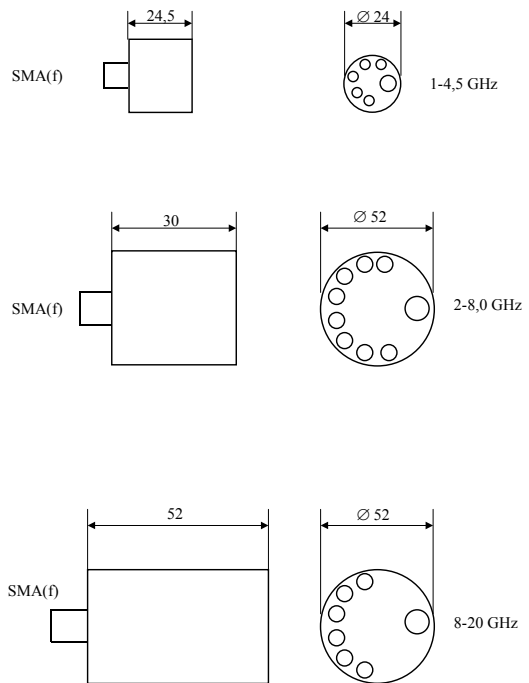
DESCRIPTION

YIG-tuned oscillators are designed for multi-octave sweep oscillators, synthesizers, surveillance receivers and local oscillators.



SPECIFICATIONS

Parameters	Model		
	2.210.137	434.811.03	434.811.080
Frequency range, GHz	2-8.0	8-20	1-4.5
Output power, min, mW	15	15	10
Power variation, dB	5	4	6
Linearity, ±MHz	15	20	10
Temperature drift, MHz	10	30	10
Second harmonic, -dBc	10	10	10
Spurious signal, -dBc	60	60	60
Bias voltage, V	-5/+12	+10	+12
Bias current, mA	40/100	150	85
Main coil, MHz/mA	20±2	30±3	18±2
Ohms	10	11	8
FM coil, kHz/mA	200	200	200
3 dB bandwidth, kHz	400	400	400
Connectors	SMA(f)	SMA(f)	SMA(f)
Temperature range, °C		-10...+60	
Dimensions, mm	∅ 50x30	∅ 52x43	∅ 24x24.5
Weight, g	120	50	80



Note: It is possible to manufacture YIG Tuned oscillators with IX type connectors (in accordance with GOST 13317-89)